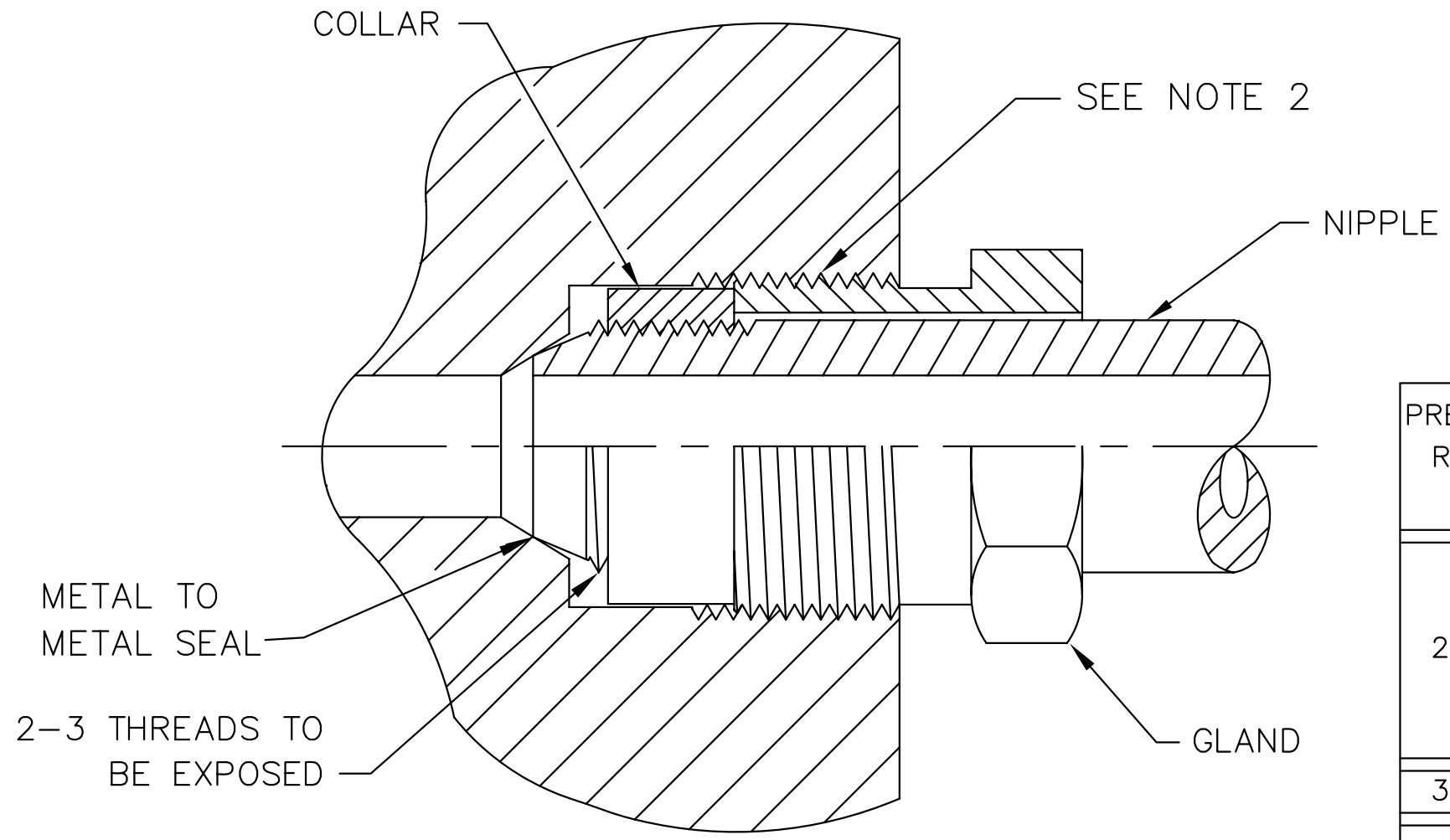


REV	ECN NO.	DESCRIPTION	BY	DATE
B	NONE	ADDED 30K TO TABLE	DB	12-12-94
C	NONE	ADDED "1/8" TUBE DIMS.	DPS	06-12-98
D	NONE	CHANGE THREADS TO 2-3	JR	4-29-99
E	04-79	ADDED MAX TORQUE TO CHART	WPS	10-29-04
F	63	ADDED NOTE 2	WPS	6-10-05



PRESSURE RATING PSI	TUBE CONNECTION SIZE	GLAND HEX SIZE	MINIMUM REQUIRED TORQUE FT-LBS (NM)	MAXIMUM TORQUE FT-LBS (NM)
20,000	1/4	1/2	20 (27)	24 (32)
	3/8	5/8	30 (40)	36 (48)
	9/16	7/8	55 (74)	66 (88)
	3/4	1-1/8	90 (121)	108 (145)
	1"	1-3/8	150 (202)	180 (241)
30,000	1"	1-3/8	150 (202)	180 (241)
60,000	1/8	1/2	6.25(8.47)	7.5 (10)
	1/4	5/8	25 (33)	30 (40)
	3/8	13/16	50 (67)	60 (80)
	9/16	1-3/16	110 (148)	132 (177)

- NOTES:
1. EXCESSIVE TORQUE WILL CAUSE THE TIP OF THE NIPPLE TO DEFORM AND THE NIPPLE WILL NOT SEAL.
  2. APPLY TO GLAND THREAD NEVERSEEZ LUBRICANT WITH FG/TFE OR EQUIV (MFICS PART No. 16.2701).

DUPLICATION OR DISSEMINATION WITHOUT AUTHORIZATION PROHIBITED  
CONFIDENTIAL AND PROPRIETARY PROPERTY OF:

**Microfluidics** 30 OSSISPEE RD.  
P.O. BOX 9101  
NEWTON, MA 02464-9101 USA

SCALE: NONE TOLERANCES:  $\varnothing = \pm 1/2$   $\frac{XX}{XX} = \pm \frac{1}{32}$  DRAWN BY TS  
DATE: 2-21-92 .XX =  $\pm .01$  .XXX =  $\pm .005$  F. N. 11028F

**CONED & THREADED CONNECTION**

MATERIAL: DRAWING NUMBER B-11028 REV. F