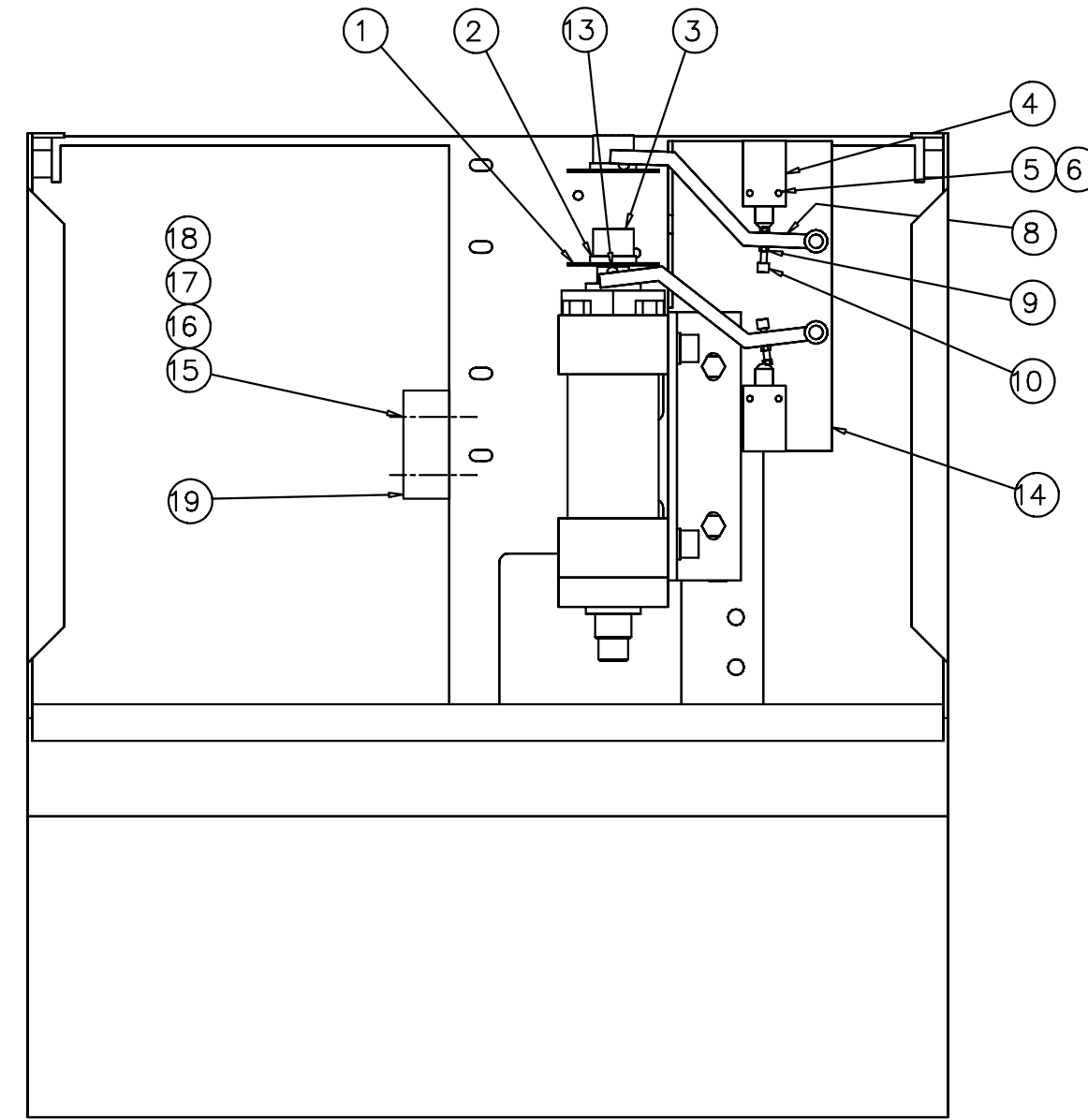
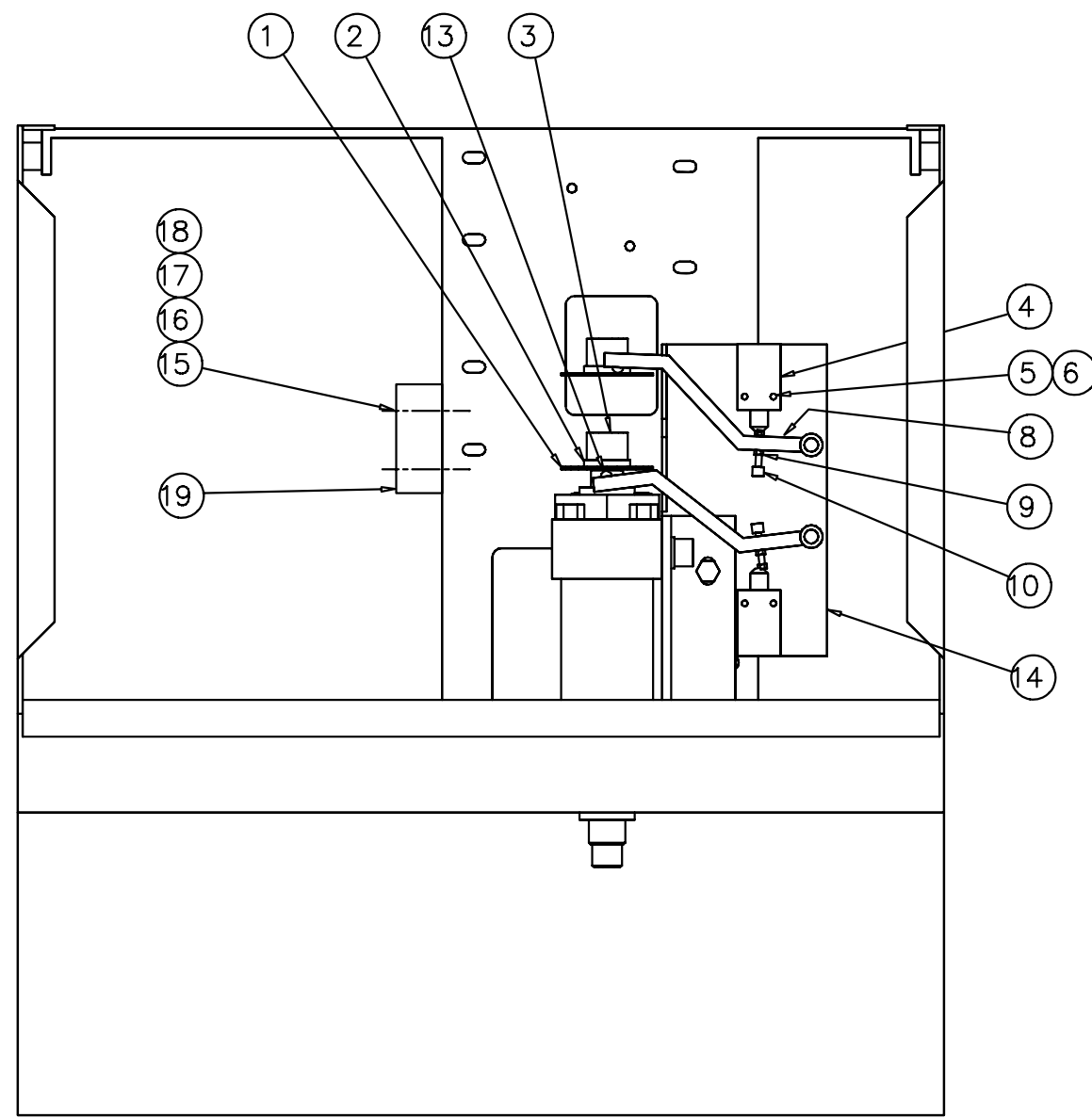
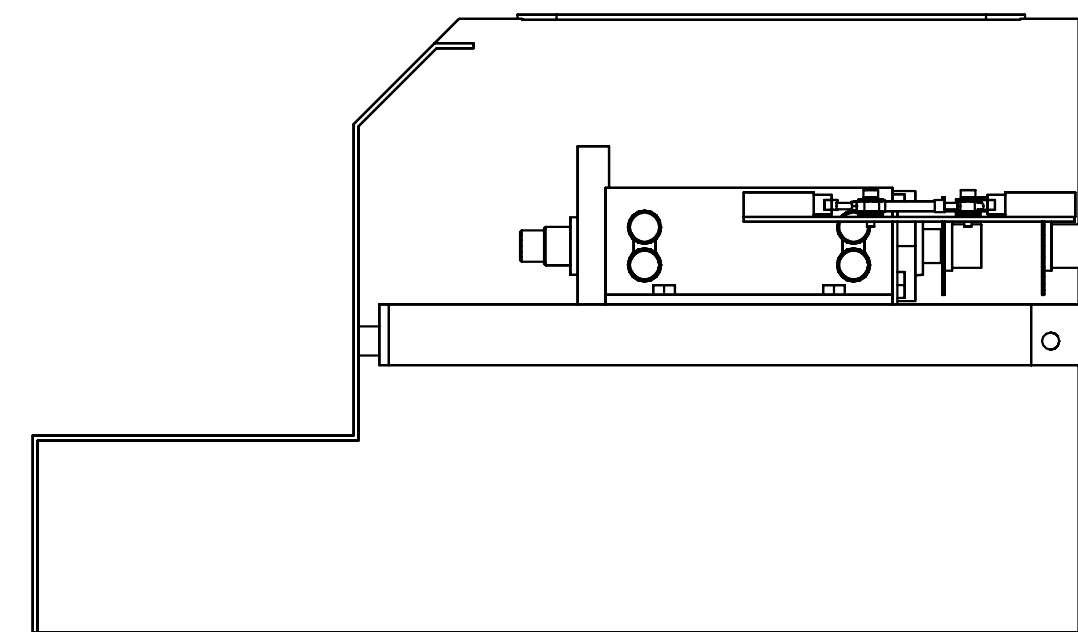
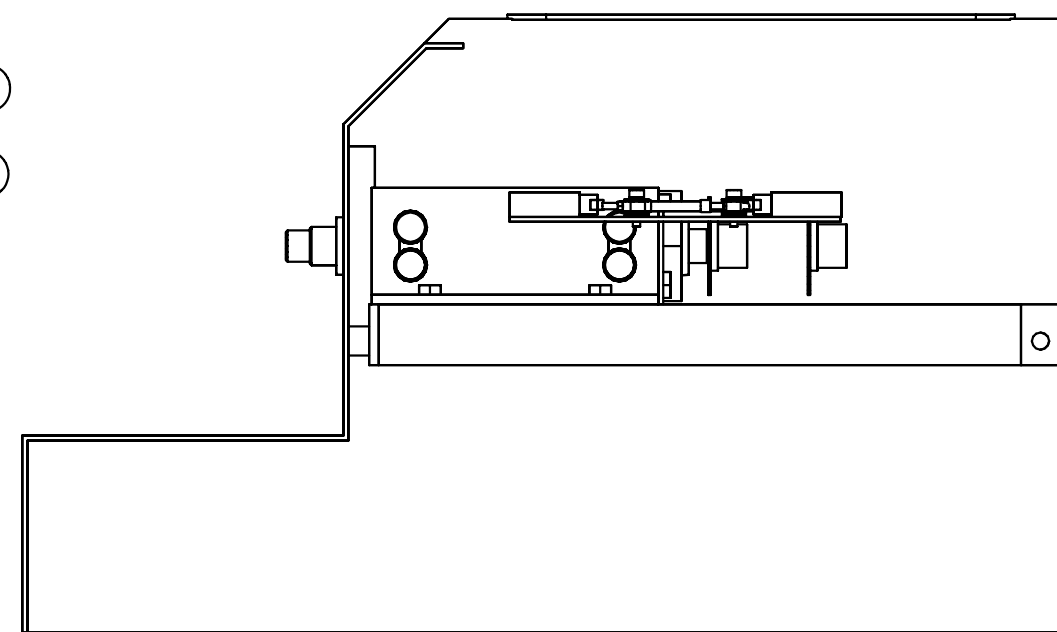
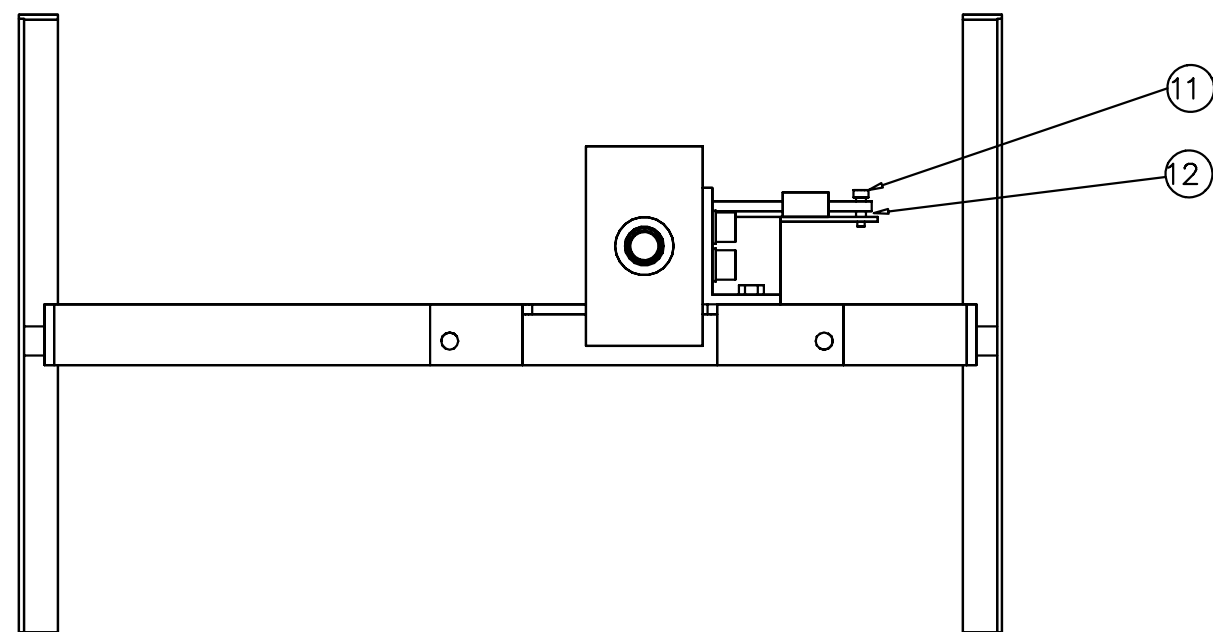


REV	ZN	ECN NO.	DESCRIPTION	BY	DATE
B	-	98-096	1.56 WAS .91	JR	12-29-98
C	-	02-10	REVISED PER ECN	JR	3-19-02
D	-	-	TEM 12 WAS 99.0097 (8)	WPS	9-30-03
E	-	43	IN-HOUSE ASSEMBLY	WPS	5-2-05
F	-	122	ADDED ITEM 19 AIR VALVE	WPS	11-2-05



VIEW A SEE NOTE 2



VIEW B

801.12814 NOTES

1. USE LOCTITE #222 BETWEEN ITEMS 8 & 10 DURING FINAL ADJUSTMENT.
2. VIEW A & B REPRESENT ENCLOSURE BUILT BEFORE 9-1-2002 THAT HAVE A RETROFITTED AIR SWITCH ASSEMBLY.

801.12814 LIST OF MATERIAL				
ITEM	QTY	PART NO.	DESCRIPTION	DWG. NO.
1	1	70.3116	DISK 2.50 OD X .78 ID	B-13384
2	1	99.0114	LOCK WASHER .75	ND
3	1	99.0376	SHCS .75-16 X 1.25 LG	ND
4	2	2.0205	AIR SWITCH	ND
5	4	99.0146	SHCS #8-32 X 1.00 LG	ND
6	4	99.0106	LOCK WASHER #8	ND
7				
8	2	61.0636	LEVER	B-13382
9	4	99.0339	HEX JAM NUT #8-32	ND
10	2	99.0338	SHCS #8-32 X 1.00 LG	ND
11	2	99.0375	SHOULDER SCREW #10-32 X .50 LG	ND
12	2	22.0210	SPACER .192 ID .5 OD .25 LONG	ND
13	2	12.2502	BUMPER	ND
14	REF(1)	2.0140	SUPPORT CYLNR / AIR SWITCH	C-13383
15	REF(2)	99.0185	HHCS .31-18 X 2	ND
16	REF(2)	99.0082	NUT HEX .31-18	ND
17	REF(2)	99.0098	WASHER FLAT .31	ND
18	REF(2)	99.0109	WASHER LOCK .31	ND
19	REF(2)	23.5012	AIR VALVE 5 PORT 4 WAY	ND

DUPLICATION OR DISSEMINATION WITHOUT AUTHORIZATION PROHIBITED
CONFIDENTIAL AND PROPRIETARY PROPERTY OF:

Microfluidics 30 OSISPEE RD.
P.O. BOX 9101
NEWTON, MA 02464-9101 USA

SCALE: NONE TOLERANCES: $\varnothing = \pm 1/2'$ $\frac{XX}{XX} = \pm \frac{1}{32}$ DRAWN BY JR
DATE: 8-11-98 .XX = $\pm .01$.XXX = $\pm .005$ F. N. 12814F

AIR SWITCHES ASSY, M110EH

MATERIAL: SEE LIST OF MATERIAL DRAWING NUMBER: C-12814 REV. F