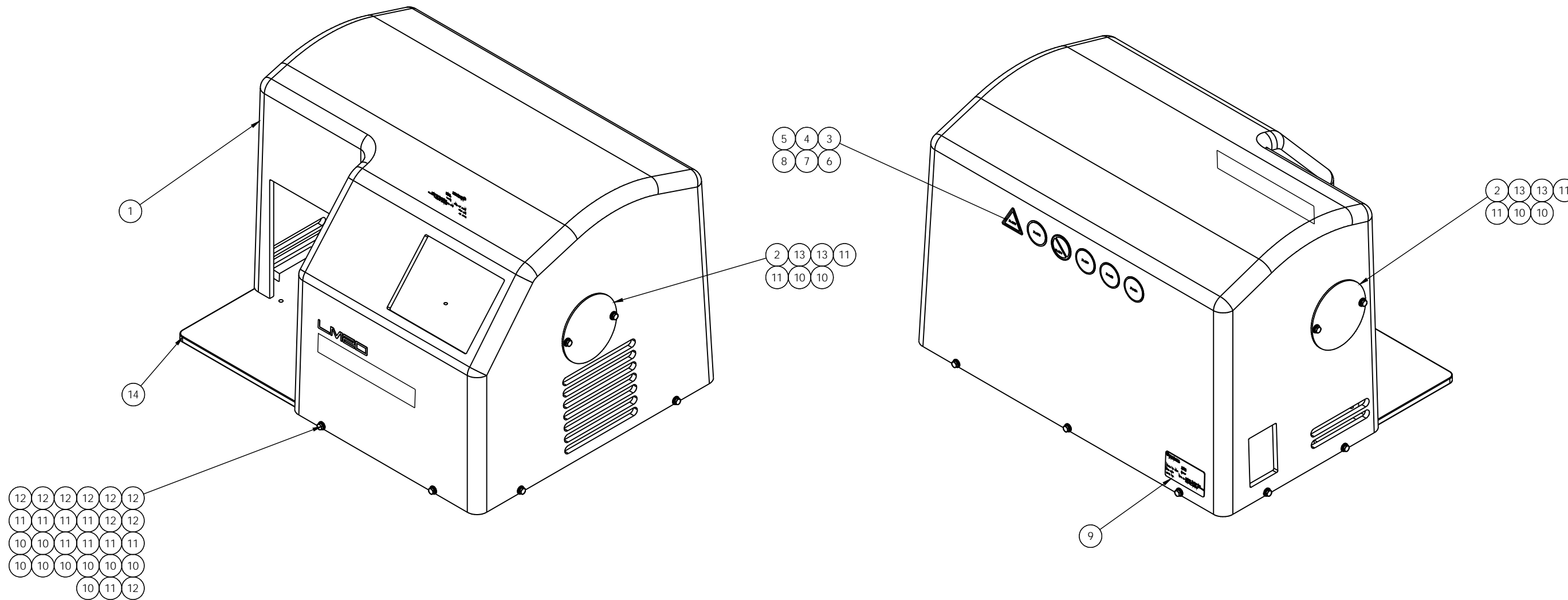


ITEM NO.	QTY.	PART NUMBER	DESCRIPTION	MATERIAL	Number
1	1	40.10034	COVER KYDEX T LM20	KYDEX T	40.10034
2	2	40.10093	PLATE COVER KYDEX T LM20	KYDEX T	40.10093
3	1	31.1392	ELECTRICAL SHOCK	ADHESIVE LABEL	ND
4	1	31.1393	LOCKOUT ELEC POWER	ADHESIVE LABEL	ND
5	1	31.1394	NO ACCESS	ADHESIVE LABEL	ND
6	1	31.1397	WEAR EYE PROTECTION	ADHESIVE LABEL	ND
7	1	31.1633	READ OPERATORS MANUAL	ADHESIVE LABEL	ND
8	1	31.1634	READ TECHNICAL MANUAL	ADHESIVE LABEL	ND
9	1	40.10094	NAME PLATE LM20	304 SS	40.10094
10	13	99.0097	WASHER FLAT .25	18-8 SS	ND
11	13	99.0108	WASHER LOCK .25	18-8 SS	ND
12	9	99.0027	HHCS .25-20 X 1	18-8 SS	ND
13	4	99.0030	HHCS .25-20 X 1.50 LG	18-8 SS	ND
14	1	REF	PLATE BASE ALUMINUM LM20	ALUMINUM 6061	40.10033

REVISIONS						
REV.	ZONE	ECN NO.	DESCRIPTION	DRAWN BY	APPROVED BY	DATE
A	-	-	RELEASED FOR MANUFACTURE	JR	-	2/26/15



DUPLICATION OR DISSEMINATION WITHOUT AUTHORIZATION PROHIBITED
 CONFIDENTIAL AND PROPRIETARY PROPERTY OF:

Microfluidics 90 GLACIER DRIVE
 SUITE 1000
 WESTWOOD, MA 02090 USA

SCALE: 1:4
 DATE: 2/26/15
 TOLERANCES: UNLESS OTHERWISE NOTED
 XX = ±.01 XXX = ±.005
 XX = ±.12 XX = ±.32
 DRAWN BY JR
 F. N. 90.10030

COVER ASSY LM20

MATERIAL: SEE BILL OF MATERIALS SIZE: D DRAWING NUMBER: 90.10030 REV: A