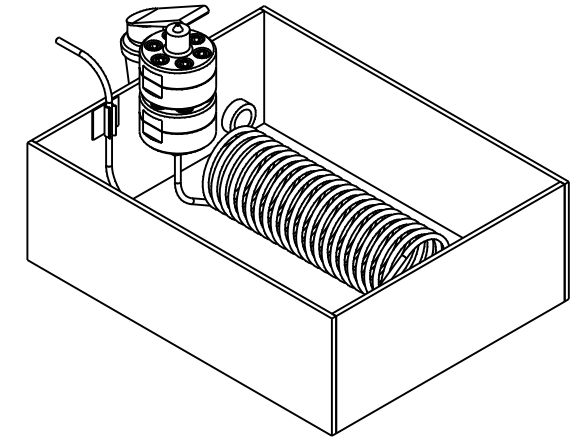
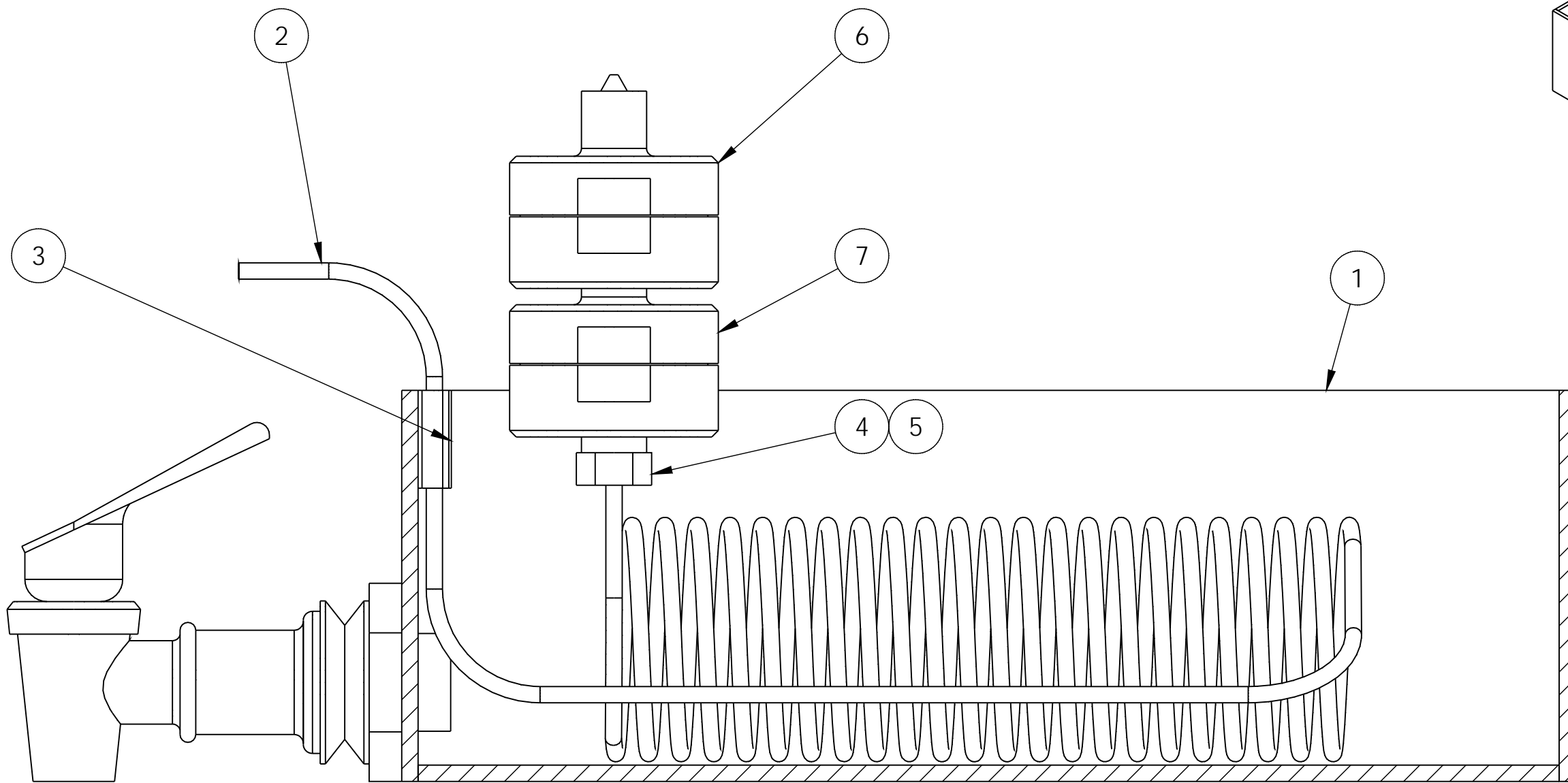


ITEM NO.	QTY.	PART NUMBER	DESCRIPTION	MATERIAL	Number
1	1	40.10195	PAN COOLING LM20	HDPE	40.10195
2	1	40.10240	COOLING COIL .12 HP X .12 TU LM20	316 SS	40.10240
3	1	40.10197	TUBE HOLDER COOLING COIL LM20	PLASTIC	ND
4	1	REF	GLAND, .13 HP	316 SS	ND
5	1	REF	COLLAR, .13 HP	316 SS	ND
6	1	REF	CHAMBER LV1	SS	ND
7	1	REF	APM LV1	SS	ND

REVISIONS						
REV.	ZONE	ECN NO.	DESCRIPTION	DRAWN BY	APPROVED BY	DATE
A	-	-	RELEASED FOR MANUFACTURE	JR	-	7/29/15



MICROFLUIDICS
 90 GLACIER DRIVE
 SUITE 1000
 WESTWOOD, MA 02090 USA

SCALE: 1:1
 DATE: 7/29/15
 TOLERANCES: UNLESS OTHERWISE NOTED
 XX = ±.01
 XXX = ±.005
 XX = ± 1/2"
 XX = ± 1/32"
 XXX = ±.005

DRAWN BY: JR
 F. N. 90.10106

COOLING COIL WITH APM ASSY LM20

MATERIAL:	SIZE:	DRAWING NUMBER:	REV.:
SEE BILL OF MATERIALS	B	90.10106	A